

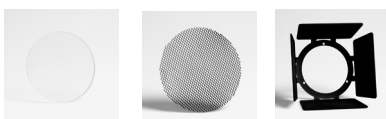
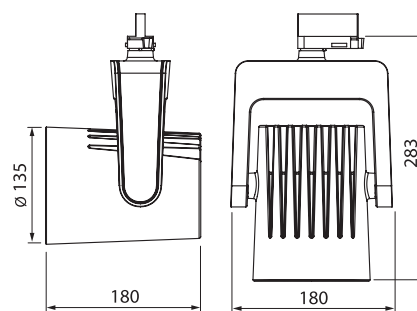
# VINCI L DALI

"The all new Vinci LED Spotlights is designed for professional retail lighting. The characteristic and unique design of the heat sink is created for modern needs and preferences for a flexible solution. Vinci is available in black and white finish and with a set of accessories. Developed and produced in Sweden".

LED-spotlight with passive cooling system.  
Dimmable by DALI.  
Die cast aluminium body, powder coat painted.  
Integral heatsink. Integral premium driver.  
Amplitude dimming (AM) for flicker free and noise free dimming.  
Low ripple output current <4% to assure camera and scanner friendly performance.  
Rotation 365°. Vertical adjustment +/- 90°.  
Track mounted with GAC Pulse adapter.



<b>Class of Smarttetection</b>	IP20, class I
<b>Colours</b>	White, black
<b>Weight total</b>	2700g
<b>Reflector</b>	High purity aluminium
<b>Lifetime</b>	50.000h L80/B10 at Ta 25°C
<b>Mounting</b>	GAC-adapter for Global Trac Pulse
<b>Voltage</b>	220-240V 50-60Hz
<b>Ripple out. current</b>	< 4%. Flicker-free performance
<b>Qty per MCB</b>	Max 34pcs/MCB 16A type B
<b>Colour consistency</b>	3 SDCM
<b>Photobiological safety</b>	RG1
<b>Design</b>	Jesper Ståhl
<b>Dimming 100-1%</b>	DALI



## Accessories

Smarttective glass	204090
Honeycomb louvre	204091
Barndoors black	204092

# VINCI L DALI

Description	Reflector	CCT (K)	CRI	Lumen	Load	Lumen	Lm/W	○ White	● Black																																																						
LIGHTSOURCE					LUMINAIRE			ART. No.																																																							
WARM WHITE 3000K (930)																																																															
Vinci L DALI 4000lm SP 930	Spot 14°	3000K	92	4960	40W	4370	109	<b>2040512</b>	<b>2040515</b>																																																						
Vinci L DALI 4000lm ME 930	Medium 26°	3000K	92	4960	40W	4370	109	<b>2040513</b>	<b>2040516</b>																																																						
Vinci L DALI 4000lm FL 930	Flood 40°	3000K	92	4960	40W	4370	109	<b>2040514</b>	<b>2040517</b>																																																						
<table border="1"> <thead> <tr> <th colspan="3">Spot 14°</th> <th colspan="3">Medium 26°</th> <th colspan="3">Flood 40°</th> </tr> <tr> <th>m</th> <th>∅</th> <th>Lux</th> <th>m</th> <th>∅</th> <th>Lux</th> <th>m</th> <th>∅</th> <th>Lux</th> </tr> </thead> <tbody> <tr> <td>1</td> <td>0,26</td> <td>34519</td> <td>1</td> <td>0,46</td> <td>15264</td> <td>1</td> <td>0,67</td> <td>8473</td> </tr> <tr> <td>2</td> <td>0,51</td> <td>8630</td> <td>2</td> <td>0,92</td> <td>3816</td> <td>2</td> <td>1,35</td> <td>2118</td> </tr> <tr> <td>3</td> <td>0,77</td> <td>3835</td> <td>3</td> <td>1,39</td> <td>1696</td> <td>3</td> <td>2,02</td> <td>941</td> </tr> <tr> <td>4</td> <td>1,02</td> <td>2157</td> <td>4</td> <td>1,86</td> <td>954</td> <td>4</td> <td>2,70</td> <td>530</td> </tr> </tbody> </table>										Spot 14°			Medium 26°			Flood 40°			m	∅	Lux	m	∅	Lux	m	∅	Lux	1	0,26	34519	1	0,46	15264	1	0,67	8473	2	0,51	8630	2	0,92	3816	2	1,35	2118	3	0,77	3835	3	1,39	1696	3	2,02	941	4	1,02	2157	4	1,86	954	4	2,70	530
Spot 14°			Medium 26°			Flood 40°																																																									
m	∅	Lux	m	∅	Lux	m	∅	Lux																																																							
1	0,26	34519	1	0,46	15264	1	0,67	8473																																																							
2	0,51	8630	2	0,92	3816	2	1,35	2118																																																							
3	0,77	3835	3	1,39	1696	3	2,02	941																																																							
4	1,02	2157	4	1,86	954	4	2,70	530																																																							
<p><b>3000K 930 Spectral power distributions</b></p>																																																															
NEUTRAL WHITE 4000K (940)																																																															
Vinci L DALI 4000lm SP 940	Spot 14°	4000K	92	4920	40W	4340	108	<b>2040580</b>	<b>2040584</b>																																																						
Vinci L DALI 4000lm ME 940	Medium 26°	4000K	92	4920	40W	4340	108	<b>2040581</b>	<b>2040585</b>																																																						
Vinci L DALI 4000lm FL 940	Flood 40°	4000K	92	4920	40W	4340	108	<b>2040582</b>	<b>2040586</b>																																																						
<table border="1"> <thead> <tr> <th colspan="3">Spot 14°</th> <th colspan="3">Medium 26°</th> <th colspan="3">Flood 40°</th> </tr> <tr> <th>m</th> <th>∅</th> <th>Lux</th> <th>m</th> <th>∅</th> <th>Lux</th> <th>m</th> <th>∅</th> <th>Lux</th> </tr> </thead> <tbody> <tr> <td>1</td> <td>0,26</td> <td>34282</td> <td>1</td> <td>0,46</td> <td>15160</td> <td>1</td> <td>0,67</td> <td>8415</td> </tr> <tr> <td>2</td> <td>0,51</td> <td>8570</td> <td>2</td> <td>0,92</td> <td>3790</td> <td>2</td> <td>1,35</td> <td>2104</td> </tr> <tr> <td>3</td> <td>0,77</td> <td>3809</td> <td>3</td> <td>1,39</td> <td>1684</td> <td>3</td> <td>2,02</td> <td>935</td> </tr> <tr> <td>4</td> <td>1,02</td> <td>2143</td> <td>4</td> <td>1,86</td> <td>947</td> <td>4</td> <td>2,70</td> <td>526</td> </tr> </tbody> </table>										Spot 14°			Medium 26°			Flood 40°			m	∅	Lux	m	∅	Lux	m	∅	Lux	1	0,26	34282	1	0,46	15160	1	0,67	8415	2	0,51	8570	2	0,92	3790	2	1,35	2104	3	0,77	3809	3	1,39	1684	3	2,02	935	4	1,02	2143	4	1,86	947	4	2,70	526
Spot 14°			Medium 26°			Flood 40°																																																									
m	∅	Lux	m	∅	Lux	m	∅	Lux																																																							
1	0,26	34282	1	0,46	15160	1	0,67	8415																																																							
2	0,51	8570	2	0,92	3790	2	1,35	2104																																																							
3	0,77	3809	3	1,39	1684	3	2,02	935																																																							
4	1,02	2143	4	1,86	947	4	2,70	526																																																							
<p><b>4000K 940 Spectral power distributions</b></p>																																																															

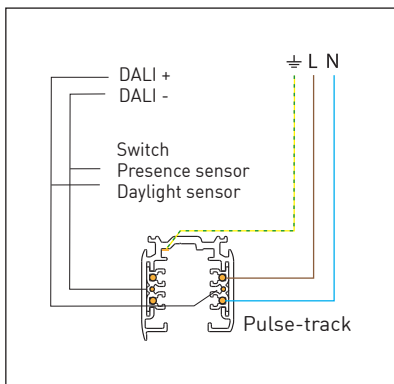
Luminous flux and connected electrical load are subject to an initial tolerance of +/- 5%.  
Tolerance of color temperature: +/- 150 K. Values apply to an ambient temperature of 25°C.

# DALI - Dimming & Control

VINCI L DALI is equipped with control adapter for Global Pulse Tracks.  
Dimmable 100-1% by either DALI or DALI-dimmer.

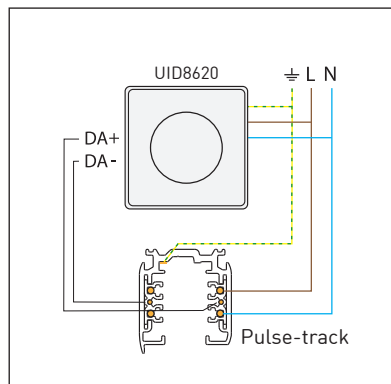
The DALI lighting control system delivers unparalleled performance, maximum control, flexibility and increased energy savings.

Dimmer UID8620 offers easy installation and maintenance. Wiring is simple and installation costs are lower.



## DALI LIGHTING CONTROL SYSTEM

The DALI lighting control system delivers maximum control, flexibility and increased energy savings. DALI can control a single light fitting or a defined group of fittings. Different scenes and lightlevels may be set. The DALI specification allows for a maximum of 64 luminaires per network, which can be broken up to 16 different groups, each with its own lighting scene. DALI is an industry standard protocol that allows DALI-compliant components from different manufacturers to be mixed and matched together seamlessly into complete systems.



## DALI Dimmer UID 8620

DALI compliant potentiometer 8620 offers easy installation. Generally applicable for indoor lighting control with DALI compliant devices. Brightness is controlled in broadcast mode so all connected devices will react simultaneously. Dimming level 100-1%. Preset levels can be set. Maximum 32 DALI-loads may be connected to one UID 8620.



## Accessories

UID 8620 DALI dimmer	0101300
----------------------	---------



## Global Pulse

3-circuit 16A mains voltage track system with additional control signals. Lystra Smart tracklights are equipped with GAC Pulse-adapter and may be controlled via DALI or with DALI-dimmer. (For example Philips UID 8620, Schneider Exxact DALI or Osram MCU).